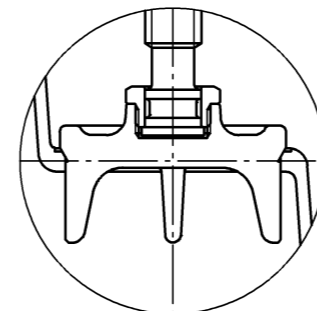
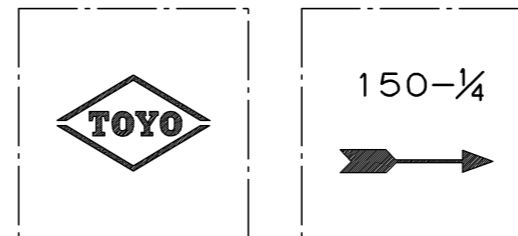


SIZES 1/4 to 1



SIZE 3



SIZES 1/4 & 3/8



SIZES 1/2 to 3
BODY MARKING

DIMENSIONS

UNIT : mm

SIZE		d	d1	H	L	D	S	MASS (Kg)	Q'ty
A	B								
8	1/4	Rc 1/4	12.5	67	44	48	20	0.19	
10	3/8	Rc 3/8	13.5	69	44	48	23	0.21	
15	1/2	Rc 1/2	13.5	80	53	63	28	0.27	
20	3/4	Rc 3/4	19.0	94	65	70	35	0.44	
25	1	Rc 1	24.0	104	77	80	43	0.69	
32	1 1/4	Rc 1 1/4	32.0	127	85	90	52	1.08	
40	1 1/2	Rc 1 1/2	37.0	145	100	100	59	1.50	
50	2	Rc 2	48.5	173	119	110	72	2.70	
65	2 1/2	Rc 2 1/2	60.0	199	139	125	88	3.44	
80	3	Rc 3	69.0	214	158	140	105	4.12	

*1: DEZINCIFICATION RESISTANT BRASS.
*2: ZINC PLATING.

16	NAME PLATE	ALUMINUM	
10	WHEEL NUT	CARBON STEEL *2	
9	HAND WHEEL	ALUMINUM DIE-CAST	B85
8	GLAND PACKING	ARAMID FIBERS GRAPHITE	
7	GLAND	BRASS ROD SIZE 1/4 to 3	B16
6	PACKING NUT	FORGED BRASS	B283-C37700
5	LOCK NUT	FORGED BRASS SIZE 1/4 to 3	B124-C37700
4	DISC	CAST BRONZE	B584-C84400
3	STEM	SPECIAL BRASS *1	
2	BONNET	CAST BRONZE SIZE 3	B584-C84400
		FORGED BRASS SIZE 1/4 to 2 1/2	B283-C37700
1	BODY	CAST BRONZE	B584-C84400

No.	PART	MATERIAL (ASTM)
-----	------	-----------------

FACE TO FACE OR END TO END
MAKER'S STANDARD

END CONNECTION
JIS B0203

WALL THICKNESS
MAKER'S STANDARD

PRESSURE TEST
MAKER'S STANDARD

CLASS 150
CAST BRONZE
SCREWED END GLOBE VALVE
SCREWED BONNET, INSIDE SCREW

APP'D	K.Kobayashi	FIGURE	PRODUCT CODE		
CHK'D	H.Fuseya	150E-BG-N	213A		
CHK'D	M.Mochizuki	DRAWING No.	△	MARK	DATE
PREP'D	K.Kohama	T1211S015 △			
DATE	JUL.31.'15				BY



Toyo Valve Co., Ltd.