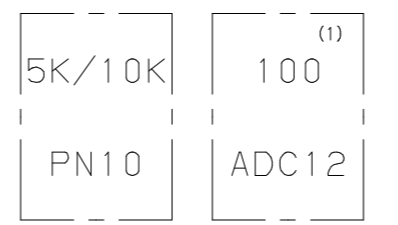
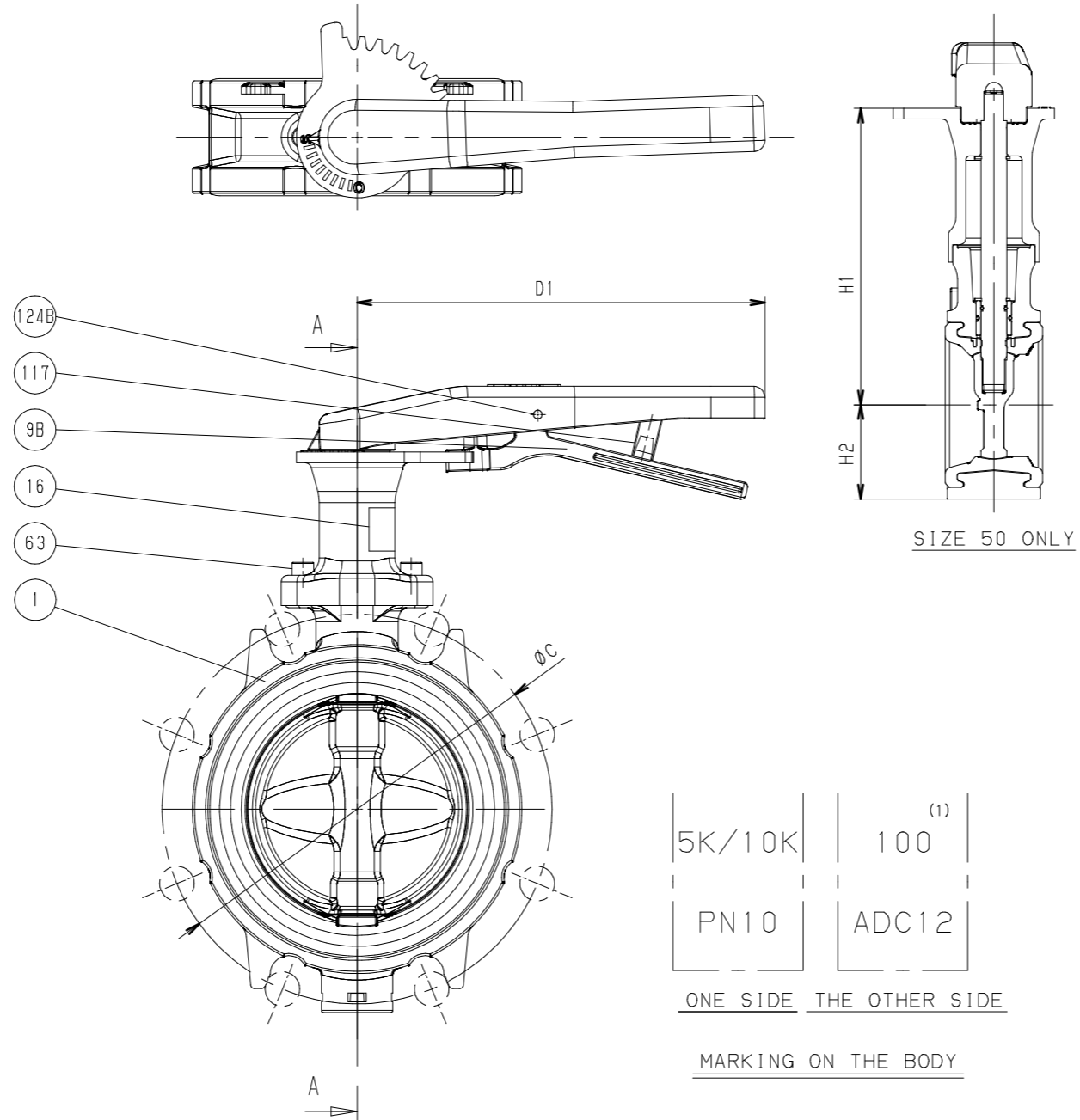


SECTION A-A



ONE SIDE THE OTHER SIDE  
 MARKING ON THE BODY

DIMENSIONS.

UNIT: mm

NOMINAL SIZE		d	H	H1	H2	L	D	C (PN10)	D1	APPROX. MASS (kg)
2	50	50	170	138	44	43	87	125	188	1.2
2.1/2	65	66	178	146	73	46	107	145	188	1.4
3	80	79	188	156	84	46	122	160	188	1.7
4	100	101	198	166	94	52	152	180	188	2.0
5	125	125	242	201	125	56	178	210	260	3.6
6	150	148	254	216	136	56	208	240	260	4.3
8	200	198	282	240	165	60	257	270	350	7.4

NOTE (1) VALVE SIZE (A) IDENTIFICATION.

NO	NAME OF PARTS	QTY	MATERIALS	SPECIFICATIONS
1	BODY	1	ALUMINUM DIE-CAST	
3	STEM	1	STAINLESS STEEL	AISI 410
4	DISC	1	STAINLESS STEEL	A351 Gr. CF8
9A	HANDLE	1	ALUMINUM DIE-CAST	
9B	STOP LEVER	1	ALUMINUM DIE-CAST	
16	NAME PLATE	1	POLYPROPYLENE	
45A	O RING	2	EPDM	
45B	O RING	2	EPDM	
48A	SNAP RING	1	STAINLESS STEEL	
48B	SNAP RING	1	STAINLESS STEEL	
61	YOKE	1	NYLON66	
63	YOKE BOLT	2	STAINLESS STEEL	
67	BEARING	2	PPS	
103	BOTTOM STEM	1	STAINLESS STEEL	AISI 410
106	SEAT RUBBER	1	EPDM	
117	HANDLE SPRING	1	STAINLESS STEEL	
124A	LEVER BOLT	1	STAINLESS STEEL	
124B	SPRING PIN	1	STAINLESS STEEL	
146	BACK UP RING	2	ZINC DIE-CAST	
147A	BOTTOM CAP	1	STAINLESS STEEL	
147B	BOTTOM PLATE	1	EPDM	

STANDARD	FACE TO FACE OR END TO END	EN 558-1 (Basic series 20)
	END CONNECTION	WAFER TYPE (BS EN 1092 PN10)
	WALL THICKNESS	MANUFACTURERS STANDARD
	PRESSURE TEST	MANUFACTURERS STANDARD
PRODUCT CODE		552-UCL
FIGURE		PN10ALZ-N-LUE<Z0T01>

PN10 ALUMINUM  
 BUTTERFLY VALVES  
 CENTER DRIVE DISC

DATE APPD	JUL. 10' 17	DRAWING NO		△		
APPD BY	H. NAKAGAWA	997-D10006	REV-00	△		
CHKD BY	Y. ASAKAWA			△		
DSGND BY	N. KITAZAWA			△		
DRAWN BY	Y. ASAKAWA			△		
			MARK	DATE	BY	